

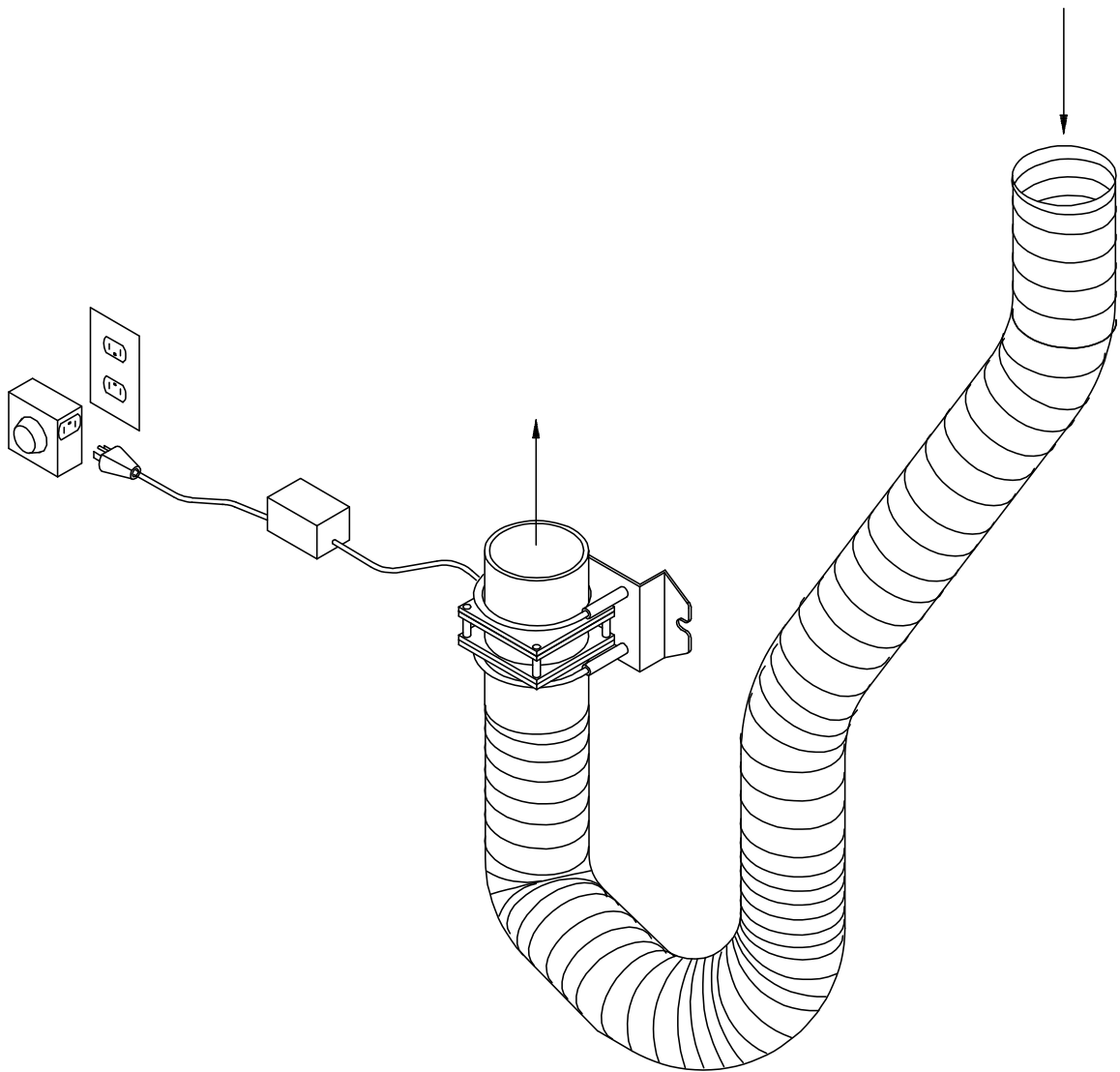
American Safe Room, Inc.

ASR-100-AB Auxiliary Blower System

for use with the Safe Cell

NBC Overpressure Filter/Ventilation System

**to provide unfiltered venation in protected spaces
when unoccupied**



Part number: ASR-100-AB

Revision: E

Date: February 5, 2010

Table of Contents

Contact information 3

Operation and configuration 4

Operation and configuration, continued 5

Timer configuration 5

Contact information

American Safe Room
868 Murdock Drive
Oakland, OR 97462

Telephone: 541-459-1806

FAX: 503-212-6695

E-mail: info@mailasr.com

Websites: www.AmericanBombShelter.com
www.AmericanSafeRoom.com
www.AmericanIsolationRoom.com

Operation and configuration

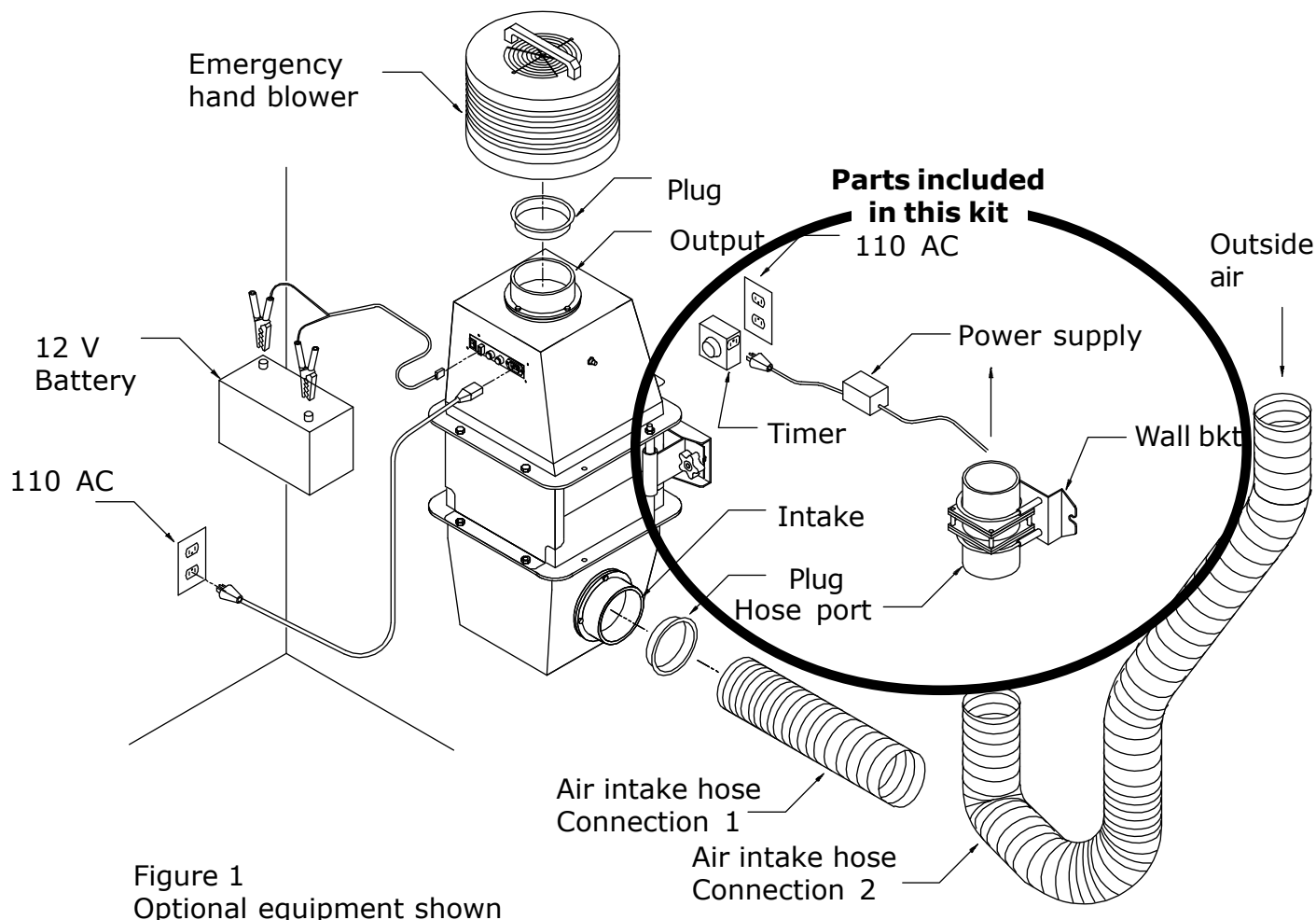


Figure 1
Optional equipment shown

The ASR-100-AB auxiliary ventilation blower system provides 100 CFM of fresh unfiltered air into your shelter.

It may be used in ventilation mode only during non threat times when no outside toxins are present to purge your shelter of unwanted stale air, relieve moisture, and prevent anaerobic mold spores from growing.

The ASR-100-AB auxiliary ventilation blower has two modes of operation.

Both the blower and the intake connection hose are provided with quick taper lock connection fittings to facilitate rapid configuration to the desired operating mode. The air intake hose can be connected to either the auxiliary blower or the Safe Cell.

The **first mode** is for ventilation only. The intake hose is plugged into the bottom of the auxiliary blower assembly as shown in Figure 1, Connection 2.

The **second mode** is for the standard operation of the Safe Cell NBC air filter. The red plastic sealing plug is removed from the Safe Cell intake and exhaust ports and the intake hose is connected as shown in Figure 1, Connection 1.

Operation and configuration

The first **mode of operation** may be used with the included 24-hour timer. This will allow you to have your venation system run at intervals while your protected space is unoccupied. This will help prevent anaerobic mold from growing, moisture from condensing on the walls and other items inside the shelter, and the air from becoming stale.

CAUTION

Never have the auxiliary blower in the on condition or running during handling or changing configurations.

The auxiliary blower may be powered only after it is installed in to the wall bracket

Never use the ventilation blower to bring in unfiltered outside air during a time of elevated threat.

Time configuration

To set up the timer, please see the instructions in the package. It is recommended that the timer first be set for the minimum amount of time per day - 1/2 hour. If moisture is present after 3 days, increase the time by 1/2 hour increments until no moisture or stale air is present.