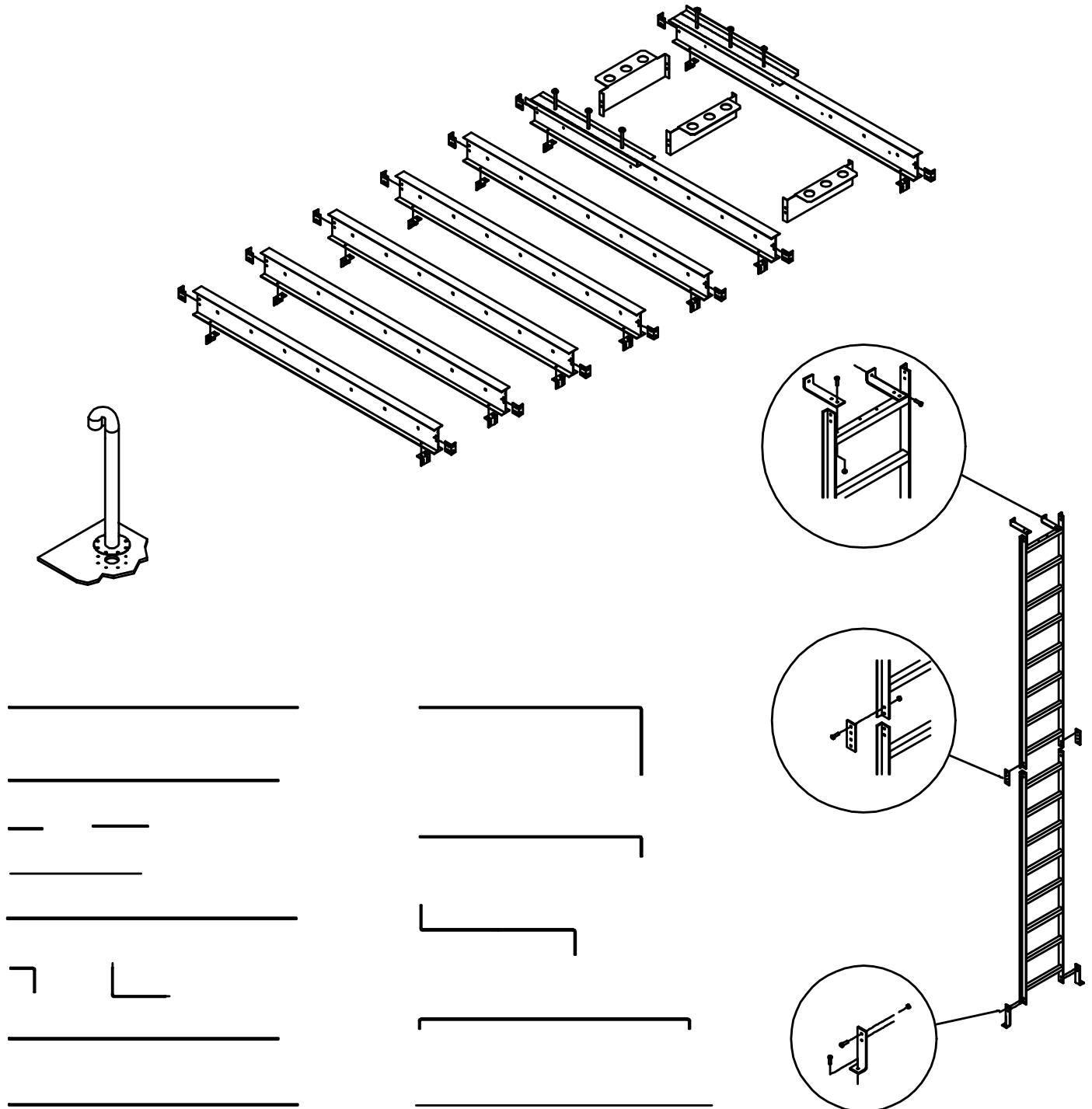


Detailed Parts Drawings Manual

for American Safe Room's

Underground Blast Resistant Fallout Shelter



Shown above is a representation of the parts in this manual. Included are: one each of the rebar parts, one ventilation pipe, two ladder sections, two riser bearing plates, and multiple trusses. Please see this entire document for the exact parts count.



Revision: F.1 — May 2, 2007