

Maurice E Farr
Professional Engineer
395 NE Kirby Avenue
Roseburg, OR 97470

March 6, 2008

American Safe Room Blast Door ASR-7200V series for opening 32" x 72" are certified to withstand a concentrically loaded force of 50-psi in seated direction and 14 psi in unseated direction as designed.

Reference drawings;

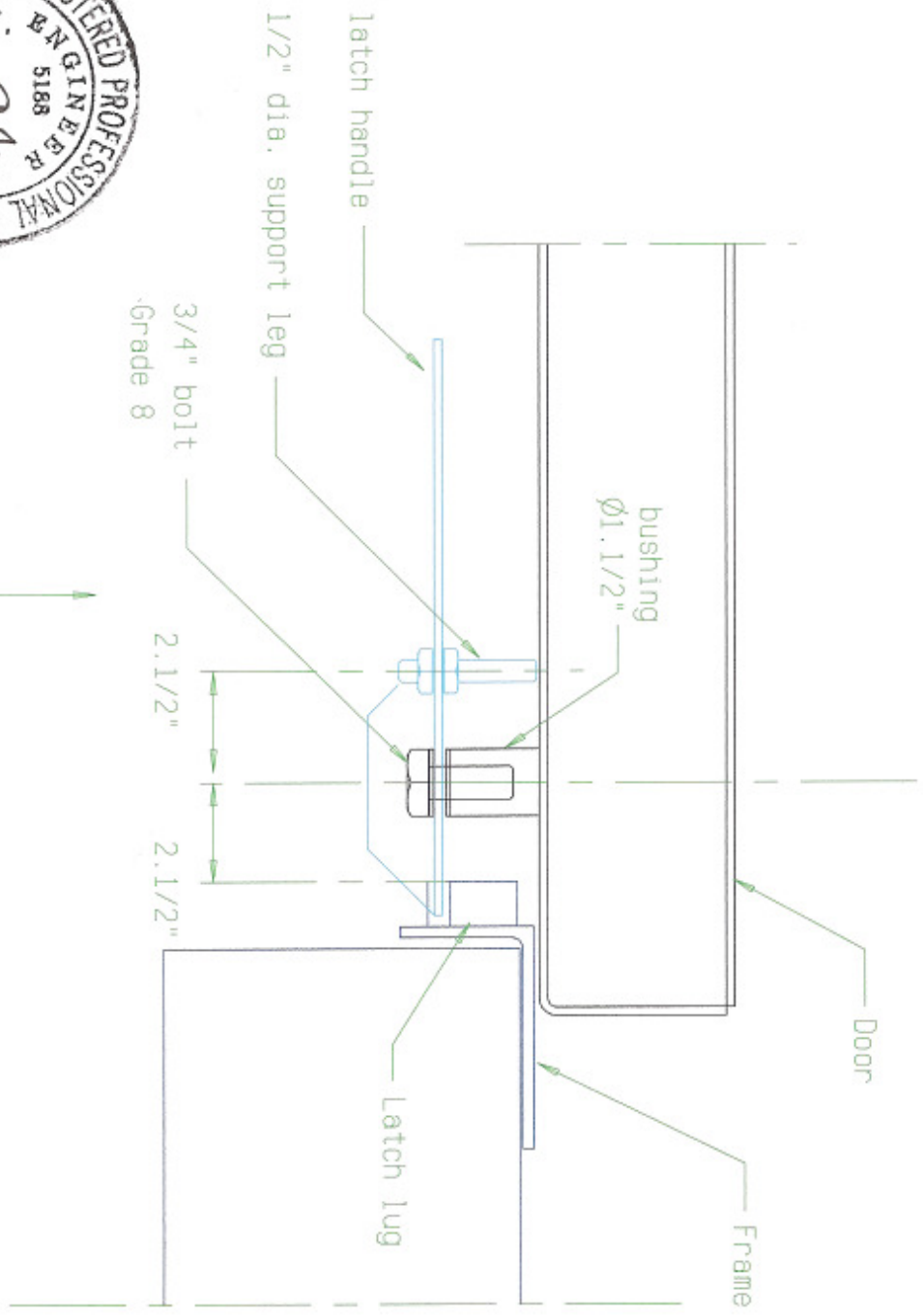
1. ASR-L1 Load on outside face
2. ASR-L2 Load on inside face
3. ASR-L2A Load on latch

Drawings were prepared under my direct supervision.

Maurice E Farr, P.E.

Maurice E Farr, PE
Professional License Oregon 5188
Expires December 31, 2009





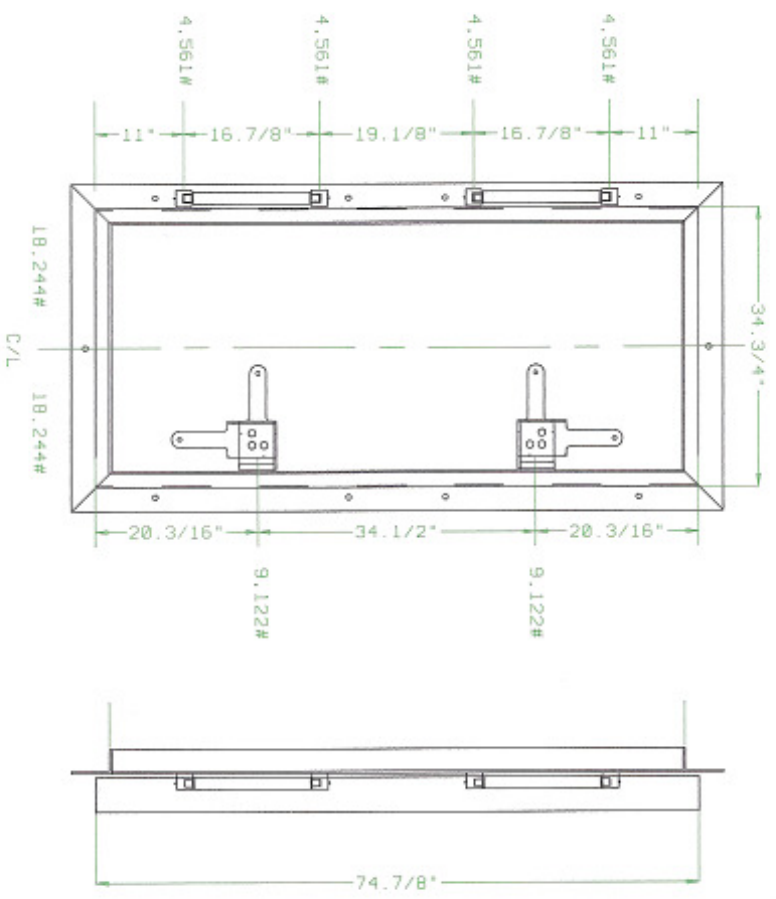
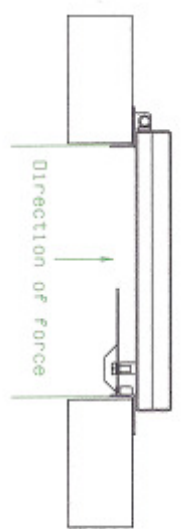
EXPIRES 12-31-09
 3-08

Direction of force
 9,122#

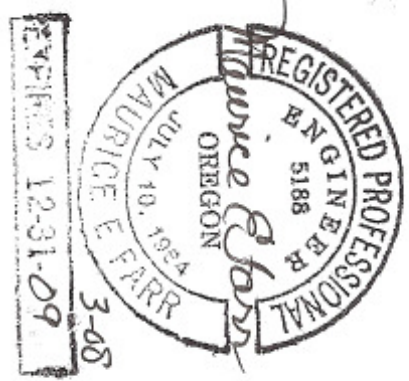
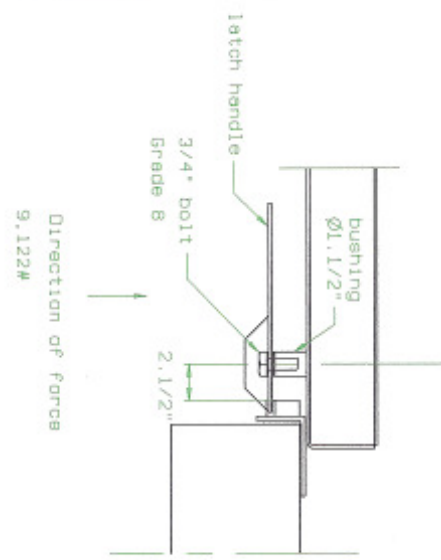
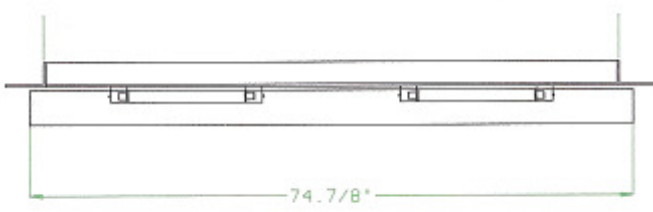
Latch load geometry

American Safe Room Inc.
 Vertical Blast Door 3-06

Title	Blast Door
Dwg. #	ASR-L2A
Date	3-27-06 Rev.

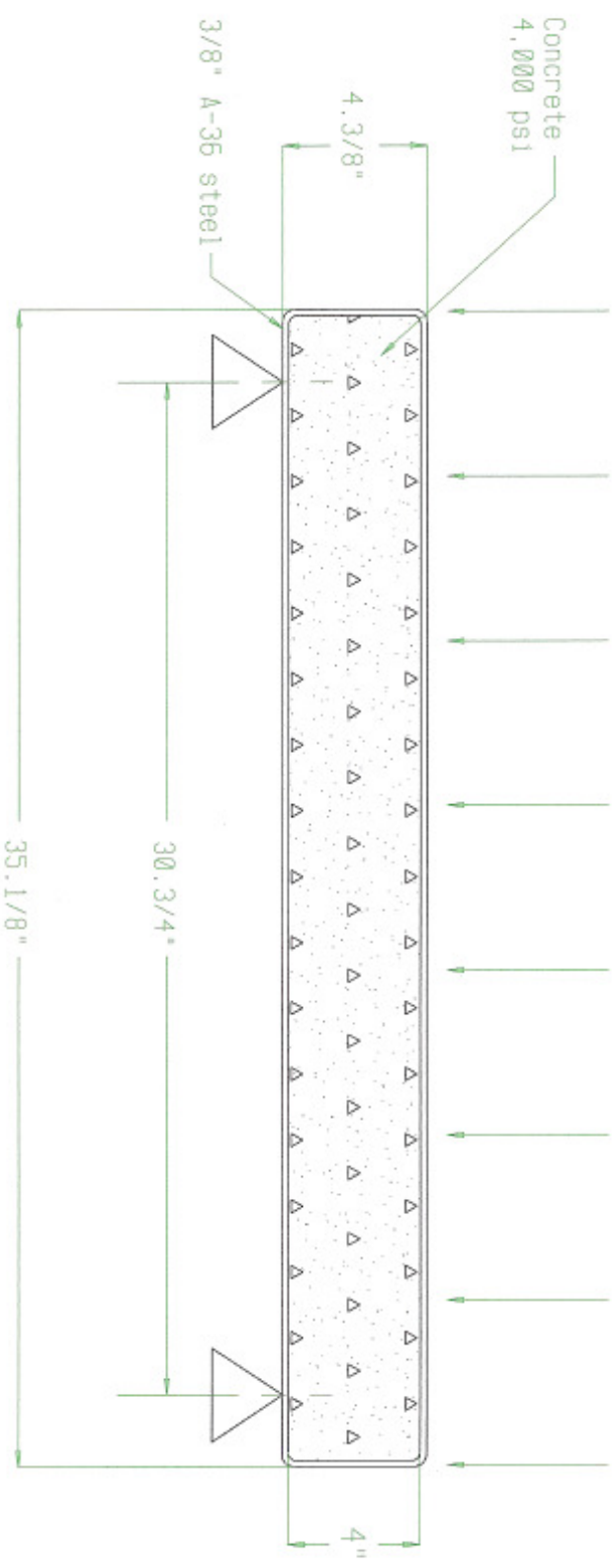


Area of door 75" x 34.3/4" = 2606 in²
 Force on door 14 psi x 2606 = 36,488#



American Safe Room Inc.
 Vertical Blast Door 3-06
 Title Blast Door
 Dwg. # ASR-L2
 Date 3-27-06 Rev.

REVISED 12-31-09



Width = 35.1/8"
Reaction = 30.3/4"
Height = 72"

American Safe Room Inc.
Vertical Blast Door 3-06

Title	Load on outside face
Dwg. #	ASR-L1
Date	3-27-06 Rev.